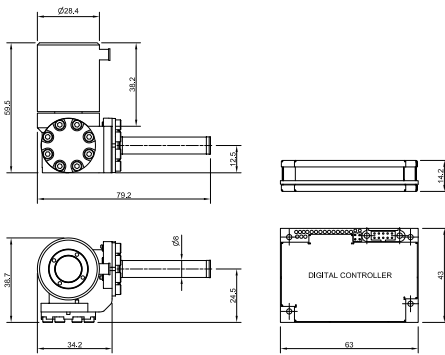


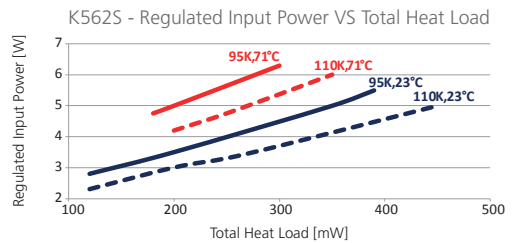
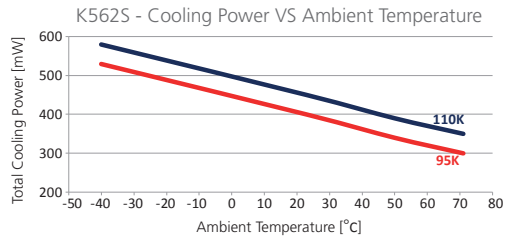
K562S



- Designed to Maximum SWaP-C Advantages
- Cooler Weight 185 grams , <3Wdc at 110K
- For HOT Detectors Operating at 95K-150K
- Uses 8mm Cold Finger for Improved Efficiency
- Specially Designed to Fit Handheld Thermal Imagers
- Includes External Digital Temperature Controller



Dimensions in mm



SPECIFICATIONS

• Total cooling power:	• Cold tip temperature range: 95K-150K	• Meets environmental conditions per MIL-STD-810
350mW@110K@71°C	• Product maturity: under production	
300mW@95K@71°C	• Cooler weight: 185gr	• Acoustic noise: Non detectable from 25m according to MIL-STD-1474E
• MTTF: >12,000hr @ Basic profile	• Controller weight: 30gr	• Service life: 15 years
• Steady state input power:	• Input voltage: 12Vdc typ.	• Standard warranty*: 3,000hr/2 years
(200mW@110K@23°C): 3Wdc typ.	• Ambient temperature range:	• Option to propose extended warranty
• Maximum input power: 14Wdc typ.	- Operational: -40°C...+71°C	
• Cool down time:	- Non-Operational: -55°C...+85°C	
(160J@110K@23°C): 4 min. typ.	• Temperature stability: ±0.2K	