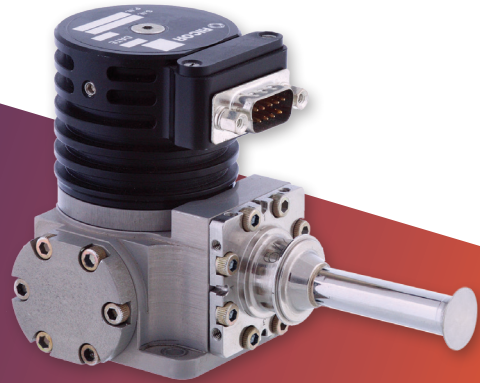
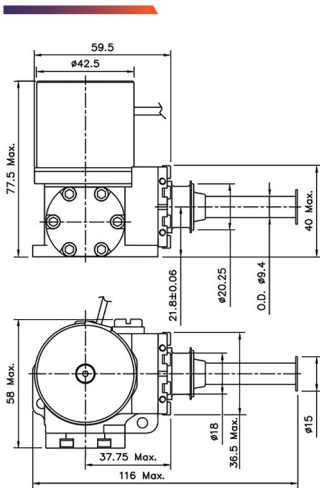


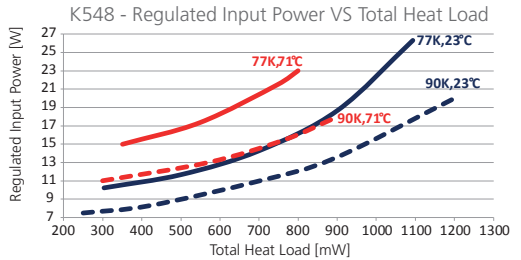
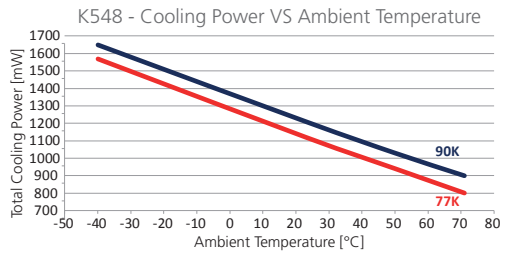
K548



- >8,000 Coolers Have Been Fielded Since 2003
- Ruggedized and Robust Design
- For Large Format Arrays and QWIP
- Field Proven MTTF >17,000 Operating Hours
- Highly Reliable for Use in Harsh Applications
- Includes Onboard Temperature Controller



Dimensions in mm



SPECIFICATIONS

• Total cooling power:	• Cold tip temperature range: 65K-110K	• Temperature stability: $\pm 0.5K$
900mW@90K@71°C	• Product maturity: under production	• Meets environmental conditions per MIL-STD-810
800mW@77K@71°C	• Cooler weight: 600gr	• Acoustic noise: <45dB @ 5 meter
• MTTF: >17,000hr @ Basic profile	• Input voltage: 20-32Vdc	• Service life: 15 years
• Steady state input power:	• Ambient temperature range:	• Standard warranty*: 5,000hr/2 years
(300mW@80K@23°C): 10 Wdc typ.	- Operational: -40°C...+85°C	• Option to propose extended warranty
• Maximum input power: 40Wdc typ.	- Non-Operational: -55°C...+85°C	
• Cool down time:		
(500J@77K@23°C): 5 min. typ.		