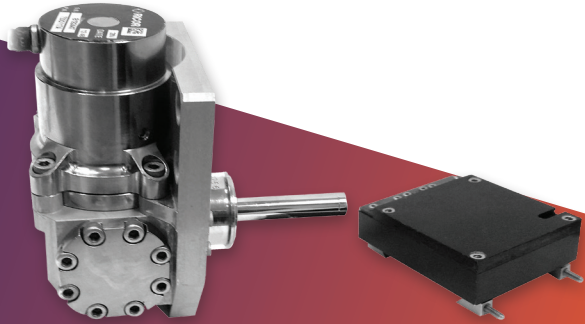
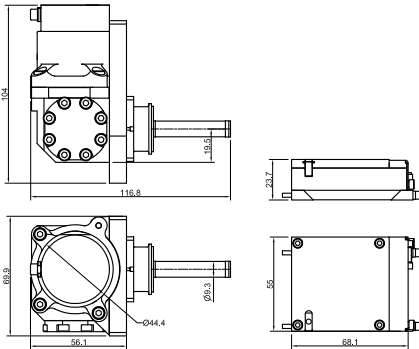


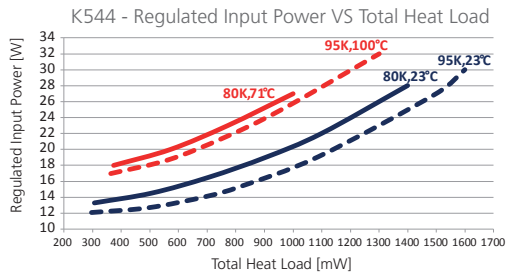
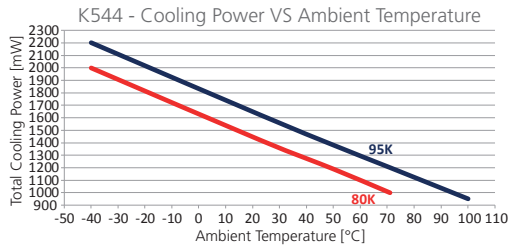
# K544



- Ruggedized and Robust Design
- High Cooling Capacity >0.95W@100°C&95K
- Field Proven with Highly Harsh Application
- High Ambient Operation Up to 102°C
- For Mega Pixel Arrays and Dual Band Detectors
- Includes External Temperature Controller



Dimensions in mm



## SPECIFICATIONS

• Total cooling power:	• Cold tip temperature range: 50K-110K	• Temperature stability: ±0.5K
950mW@95K@100°C	• Product maturity: under production	• Meets environmental conditions per MIL-STD-810
1000mW@77K@71°C	• Cooler weight: 930gr	• Acoustic noise: <45dB @ 5 meter
• MTTF: >12,000hr @ Basic profile	• Input voltage: 20-32Vdc	• Service life: 15 years
• Steady state input power:	• Ambient temperature range:	• Standard warranty*: 3,000hr/2 years
(500mW@77K@23°C): 15 Wdc typ.	- Operational: -40°C...+102°C	• Option to propose extended warranty
• Maximum input power: 56Wdc typ.	- Non-Operational: -55°C...+122°C	
• Cool down time:		
(500J@77K@23°C): 4 min. typ.		