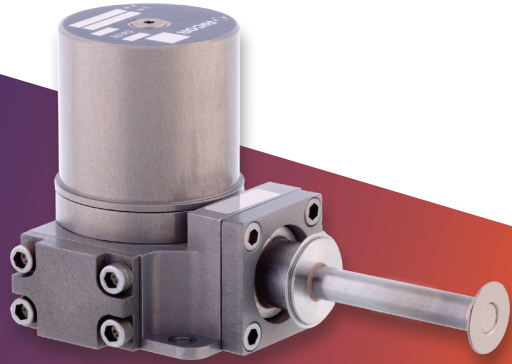
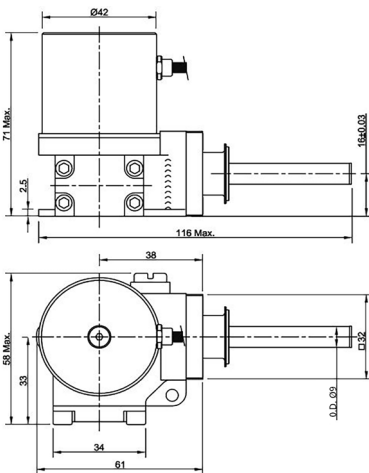


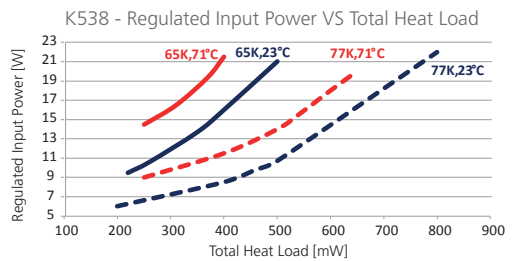
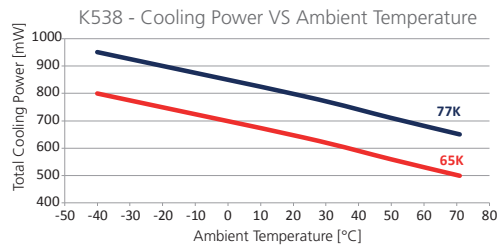
# K538



- Based on the Proven K508 Design with a 9mm Cold Finger
- Ruggedized and Robust Design
- For Small, Medium and Large Format Arrays
- Reliable Service in Numerous Applications
- Includes Onboard Temperature Controller



Dimensions in mm



## SPECIFICATIONS

• Total cooling power: 650mW@77K@71°C 500mW@65K@71°C	• Cold tip temperature range: 65K-110K	• Temperature stability: ±0.5K
• MTTF: >12,000hr @ Basic profile	• Product maturity: under production	• Meets environmental conditions per MIL-STD-810
• Steady state input power: (200mW@80K@23°C): 6 Wdc typ.	• Cooler weight: 450gr	• Acoustic noise: <35dB @ 5 meter
• Maximum input power: 18Wdc typ.	• Input voltage: 8.5-32Vdc	• Service life: 15 years
• Cool down time: (250J@80K@23°C): 4.5 min. typ.	• Ambient temperature range: - Operational: -40°C...+85°C - Non-Operational: -55°C...+85°C	• Standard warranty*: 3,000hr/2 years * Option to propose extended warranty