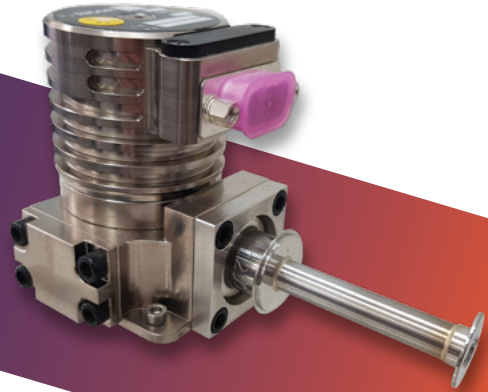
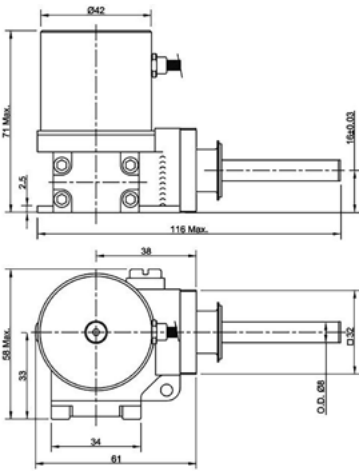


K508

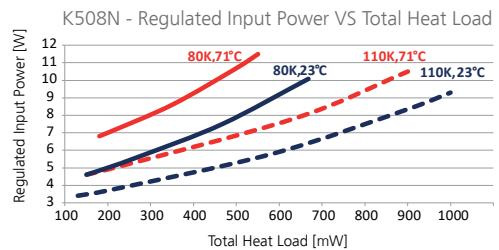
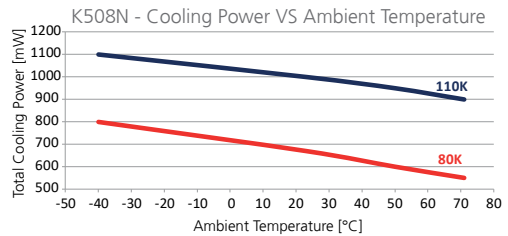
ROHS



- RoHS Compliance Cryocooler
- Ruggedized and Robust Design
- High Reliability of 25,000 Operating Hours
- Includes Onboard RoHS Temperature Controller
- For Small, Medium and Large Format Arrays



Dimensions in mm



SPECIFICATIONS

• Total cooling power: 900mW@110K@71°C 550mW@77K@71°C	• Cold tip temperature range: 65K-110K • Product maturity: Production from Q3/2019	• Temperature stability: ±0.5K • Meets environmental conditions per MIL-STD-810
• MTTF: >25,000hr @ Basic profile	• Cooler weight: 450gr	• Acoustic noise: <35dB @ 5 meter
• Steady state input power: (200mW@80K@23°C): 5.5Wdc typ.	• Input voltage: 8.5-32Vdc	• Service life: 15 years
• Maximum input power: 18Wdc typ.	• Ambient temperature range: - Operational: -40°C...+85°C - Non-Operational: -55°C...+85°C	• Standard warranty*: 5,000hr/2 years * Option to propose extended warranty
• Cool down time: (250J@80K@23°C): 5 min. typ.		