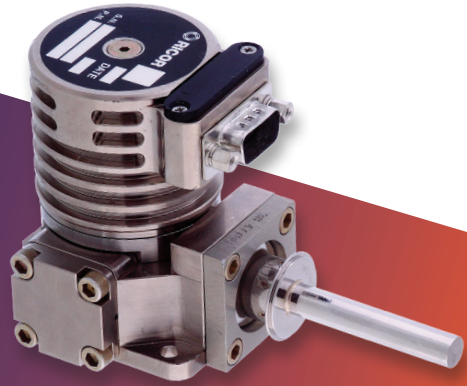
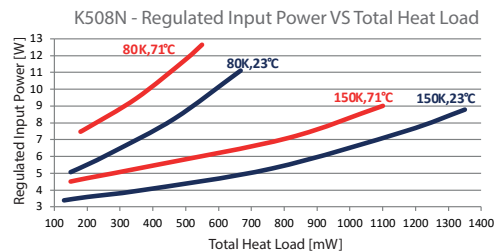
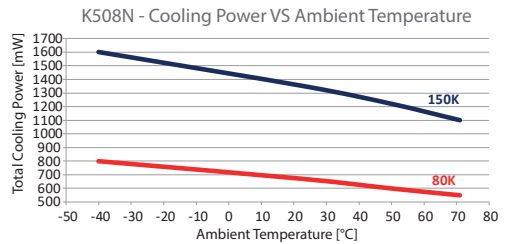
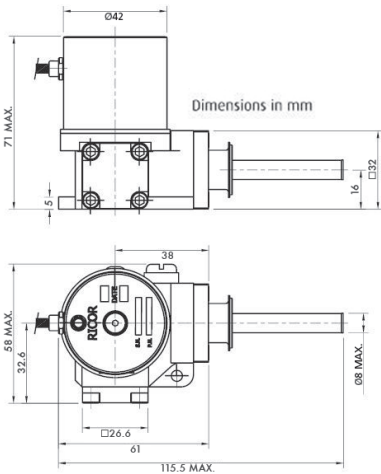


K508N



- High Reliability of 28,000 Operating Hours
- Ruggedized and Robust Design
- Completely Interchangeable with Detectors / Systems Using K508
- For Standard 77K Detectors and HOT Detectors
- Ideal for 24 Hours/7 days Applications



SPECIFICATIONS

| | | |
|---------------------------------------------------------------|--------------------------------------------------------------------------------------------------|--------------------------------------------------|
| • Total cooling power: 900mW@110K@71°C 550mW@77K@71°C | • Cold tip temperature range: 65K-150K | • Temperature stability: ±0.5K |
| • MTTF: >28,000hr @ Basic profile | • Product maturity: under production | • Meets environmental conditions per MIL-STD-810 |
| • Steady state input power: (200mW@80K@23°C): 5.5 Wdc typ. | • Cooler weight: 475gr | • Acoustic noise: <35dB @ 5 meter |
| • Maximum input power: 20Wdc typ. | • Input voltage: 8.5-32Vdc | • Service life: 15 years |
| • Cool down time: (250J@80K@23°C): 5 min. typ. | • Ambient temperature range: - Operational: -40°C...+85°C - Non-Operational: -55°C...+85°C | • Standard warranty*: 10,000hr/2 years |
| | | * Option to propose extended warranty |