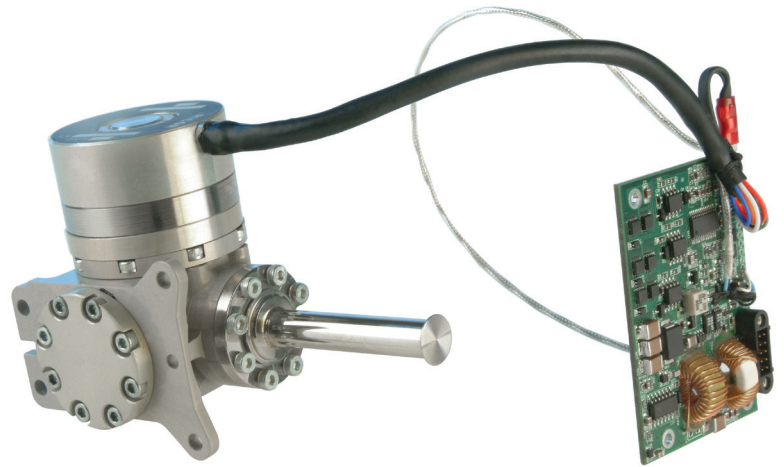


K563

INTEGRAL STIRLING LOW POWER MICRO COOLER



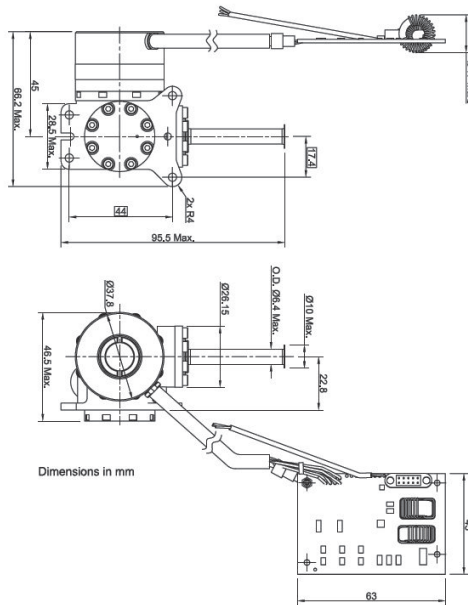
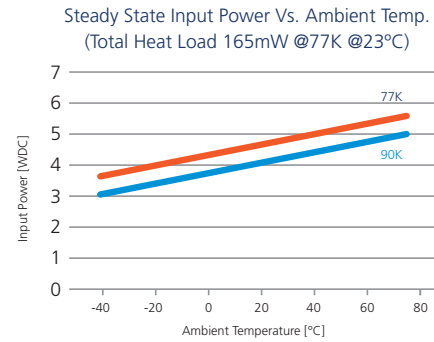
Model K563 microcooler is a member of Ricor's microcoolers family. This model was specially developed to fit handheld thermal imager's applications where low input power and volume are the most important parameters. This cooler is based on the same design concepts as Ricor's other microcoolers and is highly reliable. The cold finger (1/4") will be designed according to the customer needs.

DETECTORS

Small Format Array
Mid Format Array
HOT FPA $\geq 95K$

APPLICATIONS

Hand Held Thermal Imagers
Thermal Weapon Sights
Miniature Payloads
UAV's
Field Observations
Airborne EVS
Gas Leak Detection
FTIR
Non Destructive Testing



SPECIFICATIONS

- | | |
|---|---|
| • Weight (With controller and harness): 290 gr. | • Cooldown Time (210J @77K @23°C):
< 4 min. Typ. @23°C |
| • Input Voltage: 6, 12 VDC (Nominal) | • MTTF > 8,000 Hours |
| • Steady State Input Power:
220mW @77K @23°C: 6WDC Typ.
165mW @90K @23°C: 4WDC Typ. | • Meets Environmental Conditions per
MIL-STD-810 |
| • Maximum Input Power: 18WDC | |
| • Ambient Temperature Range: -40°C...+71°C | |
| • Cooling Capacity: 0.28W @77K @71°C | |

Specifications are subject to changes without prior notice.

CONTACTS

RICOR
Cryogenic & Vacuum Systems

En Harod Ihud 18960, Israel.
Tel. 972-4-6530800
Fax. 972-4-6532424
E-mail: marketing@ricor.com