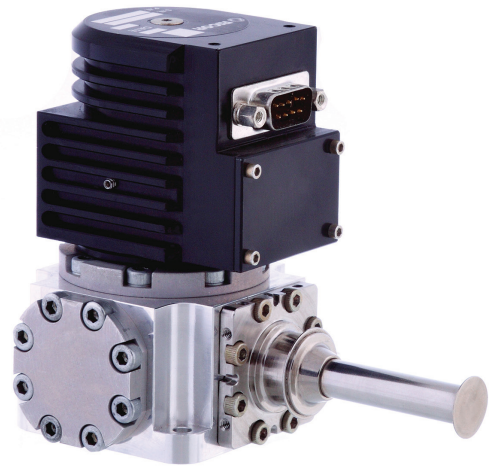


# K543

## INTEGRAL STIRLING 1W MICRO COOLER



Model K543 is a new member of RICOR's expanding family of highly reliable integral rotary micro-coolers. This Model was developed to meet the growing demand for more cooling power and extended lifespan. The cooler is designed primarily for Mega pixel format FPAs, Dual band detectors, QWIP applications and Slip-On configuration where reliability, cooling power, robustness and low acoustic signature are of concern. This model is integrated with K548 cold fingers. The cooler is designed to withstand harsh environmental conditions and excels in low vibration export and low acoustic noise level.

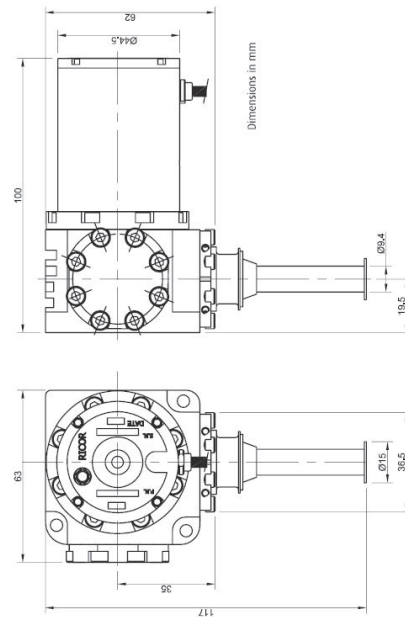
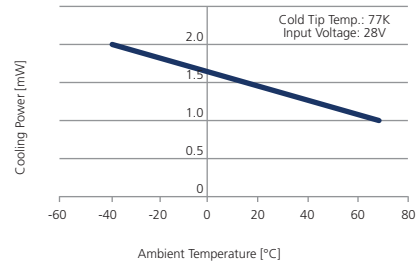
## DETECTORS

Mega Pixel Array  
QWIP 65÷70 Kelvin  
Dual Band/Color

## APPLICATIONS

Missile Warning Systems  
Border Surveillance

Cooling Power Vs. Ambient Temp.



## SPECIFICATIONS

• Cooler Weight: 830 gr.	• Cooldown Time (500J @77K @23°C): 4 min. Typ.
• Input Voltage: 18-28 VDC	• Cooling Capacity: 1W @77K @71°C
• Steady State Input Power: (1000mW @77K @23°C): 20Wdc Typ.	• MTTF > 15,000 Hours (Goal)
• Maximum Input Power: 45Wdc	• Meets Environmental Conditions per MIL-STD-810D
• Ambient Temperature Range: - Operational: -40°C...+71°C - Non-Operational: -56°C...+85°C	

Specifications are subject to changes without prior notice.

## CONTACTS

**RICOR**  
Cryogenic & Vacuum Systems

En Harod Ihud 18960, Israel.

Tel. 972-4-6530800

Fax. 972-4-6532424

E-mail: [marketing@ricor.com](mailto:marketing@ricor.com)