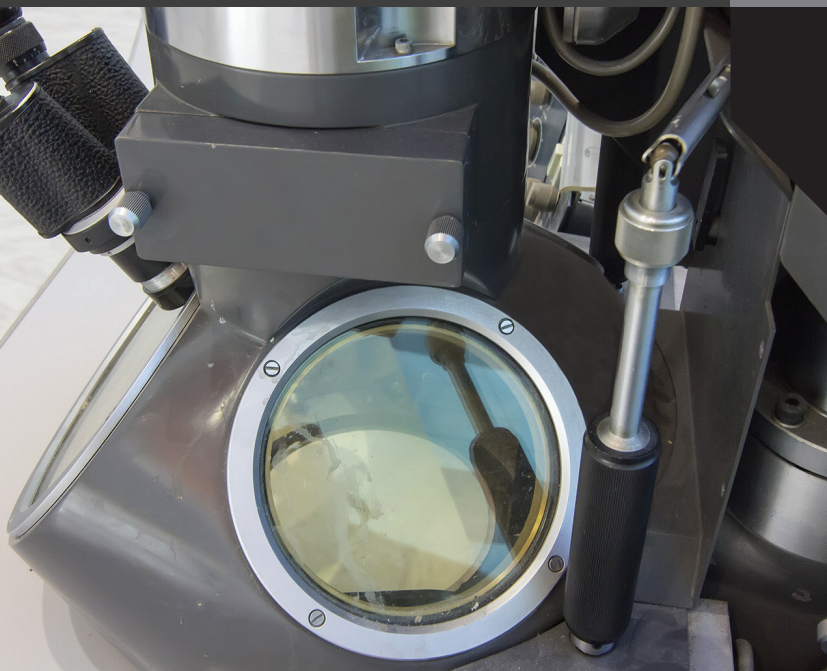


K535

DUAL OPPOSED LINEAR STIRLING CRYOCOOLER



K535 - Twin Piston Linear Integral Stirling 7W@65K Cryocooler Model K535 is specially built for order to provide high cooling power at a cryogenic temperature. Among other application the linear K535 is designed for a detector cooling gas liquefier and cooling of antenna mounted HTSC RF filters for the cellular telephone industry.

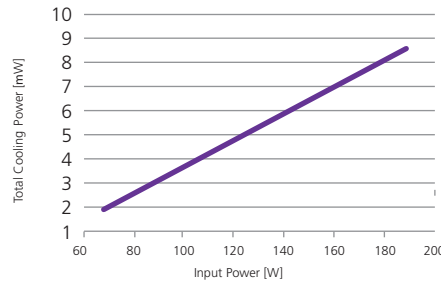
DETECTORS

HpGe for Gamma Ray Detection

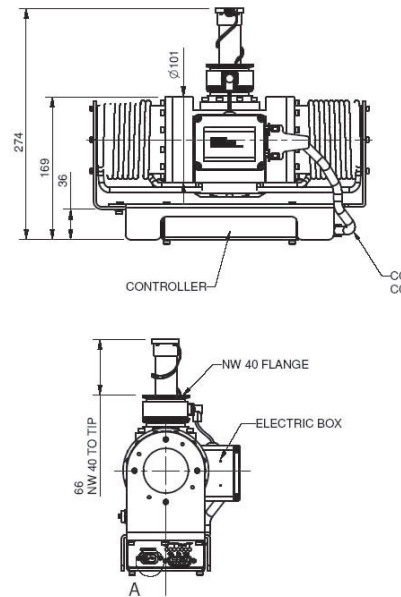
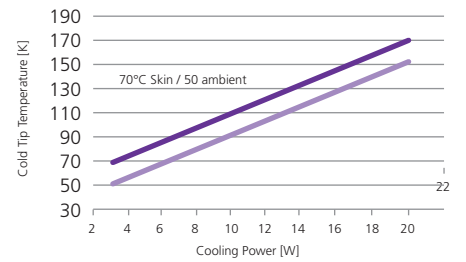
APPLICATIONS

Germanium Crystal Cooling
Vacuum Generation, HTSC

Cooling Power vs. Input Power @65 & 23°C ambient



Cold Tip Temp. vs. Cooling Power @ 200W in Power



SPECIFICATIONS

• Cooler Weight: 9.5 Kg.	• Meets Environmental Conditions per MIL-STD-810D
• Input Power: 240W MAX. @50 ± 2VDC	
• Skin Temperature Range:	
- Operational: -20°C...+71°C	
- Non-Operational: -56°C...+85°C	
• Cooling Capacity @23°C Ambient:	
7W @65K	
• MTTF > 25,000 Hours (Expected)	

Specifications are subject to changes without prior notice.

CONTACTS

RICOR
Cryogenic & Vacuum Systems

En Harod Ihud 18960, Israel.

Tel. 972-4-6530800

Fax. 972-4-6532424

E-mail: marketing@ricor.com