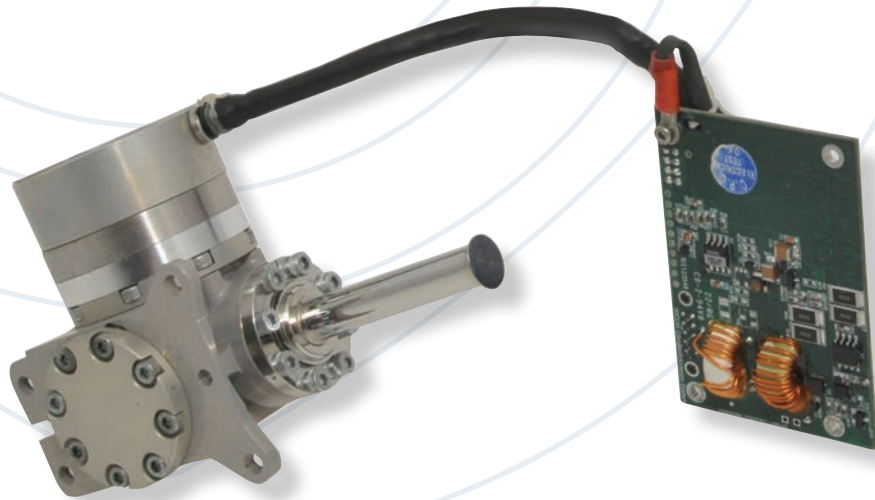


K561

Integral Stirling Low Power Micro Cooler



Model K561 microcooler is a member of RICOR's microcoolers family.

This model was specially developed to fit handheld thermal imager's applications where low input power and bulk are the most important parameters. This cooler is based on the same design concepts as RICOR's other microcoolers and is highly reliable.

Detectors

Small Format Array

Mid Format Array

HOT FPA $\geq 95K$

Applications

Hand Held Thermal Imagers

Thermal Weapon Sights

Miniature Payloads

UAV's

Field Observations

Airborne EVS

Gas Leak Detectionesting

FTIR

Non Destructive Testing



RICOR

Cryogenic & Vacuum Systems



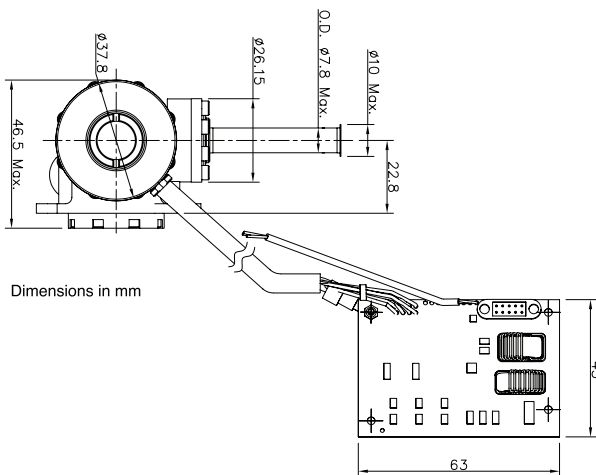
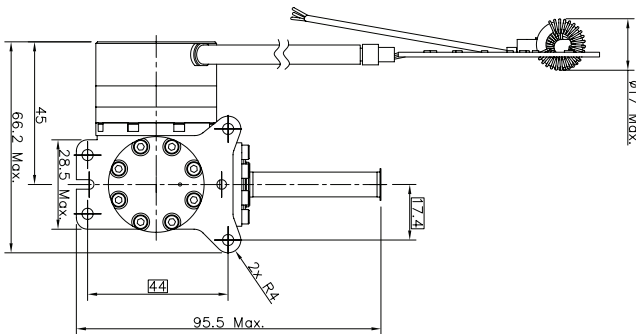
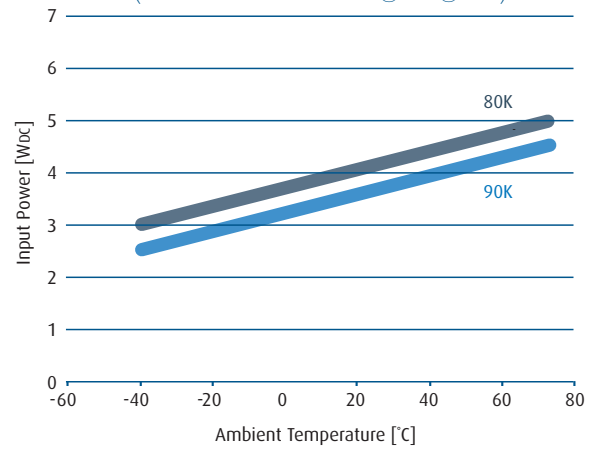
K561

Integral Stirling Low Power Micro Cooler

Specifications

- Weight (With controller and harness): 290 gr.
- Input Voltage: 6, 12 VDC (Nominal)
- Steady State Input Power (170mW @80K @23°C): 4.5Wdc Typ.
- Maximum Input Power: 16Wdc
- Ambient Temperature Range: -40°C...+71°C
- Cooldown Time (190J @80K @23°C): < 7 min. Typ.
- Cooling Capacity: 1/4W @80K @65°C
- MTTF > 8,000 Hours (Goal)
- Meets Environmental Conditions per MIL STD-810

Steady State Input Power Vs. Ambient Temp.
(Dewar Heat Load 165mW @77K @23°C)



RICOR

Cryogenic & Vacuum Systems

18960 En-Harod Ihud, Israel. Tel. 972 4 653 0800, Fax. 972 4 653 2424, E-mail: marketing@ricor.com, www.ricor.com